

# R

# R520S

# SPECIFICATIONS

## Specifications

|                              | MODEL                               | ROPS / FOPS                 | 2-Post Canopy                               | R520S                   | Cab    |
|------------------------------|-------------------------------------|-----------------------------|---|-------------------------|--------|
| ENGINE                       | MAKE & MODEL                        |                             | Kubota V2203-M-E3                           |                         |        |
|                              | TYPE                                |                             | Liquid cooled, 4-Cylinder Diesel            |                         |        |
|                              | HORSEPOWER                          | (SAE J1995 gross)           | 43.9 @ 2,600 rpm                            |                         |        |
|                              |                                     | (SAE J1349 net)             | 41.7 @ 2,600 rpm                            |                         |        |
|                              | DISPLACEMENT                        |                             | 134.1 cu. in.                               |                         |        |
|                              | TURBOCHARGER                        |                             | NO  |                         |        |
| E-TVCS                       |                                     | YES                         |   |                         |        |
| DIMENSIONAL SPECIFICATIONS   | OVERALL HEIGHT                      | A                           | 101.6"                                      |                         | 106.5" |
|                              | OVERALL LENGTH (w/ Bucket & Weight) | B                           |   | 184.5"                  |        |
|                              | OVERALL WIDTH (w/ out Bucket)       | C                           |   | 69.3"                   |        |
|                              | OVERALL OPERATING HEIGHT            | D                           |   | 165.0"                  |        |
|                              | HEIGHT TO HINGE PIN                 | E                           |   | 10'10.3"                |        |
|                              | DUMP ANGLE FULLY RAISED             | F                           |   | 43°                     |        |
|                              | DUMP HEIGHT                         | G                           |   | 8'9.2"                  |        |
|                              | REACH FULLY RAISED                  | H                           |   | 33.9"                   |        |
|                              | DIGGING DEPTH                       | I                           |   | 1.8"                    |        |
|                              | WHEELBASE                           | J                           |   | 76.8"                   |        |
|                              | GROUND CLEARANCE                    | K                           |   | 12.8"                   |        |
|                              | TREAD                               | L                           |   | 53.5"                   |        |
|                              | ANGLE OF ARTICULATION (Each Way)    | M                           |   | 40°                     |        |
|                              | FRAME OSCILLATION (Each Way)        | N                           |   | 8°                      |        |
| LIFTING SPECIFICATIONS       | TIPPING LOAD STRAIGHT (SAE Rating)  |                             |   |                         |        |
|                              | with Bucket                         |                             |   | 5,190 lbs.              |        |
|                              | with Pallet Forks                   |                             |   | 3,870 lbs.              |        |
|                              | TIPPING LOAD FULL TURN (SAE Rating) |                             |   |                         |        |
|                              | with Bucket                         |                             |   | 4,410 lbs.              |        |
|                              | with Pallet Forks                   |                             |   | 3,250 lbs.              |        |
| OPERATING LOAD               | with Bucket                         |                             |   | 2,205 lbs.              |        |
|                              | with Pallet Forks                   |                             |   | 1,625 lbs.              |        |
| COUNTER WEIGHT / Standard    |                                     |                             |   | 1,650 lbs.              |        |
| OPERATIONAL SPECIFICATIONS   | STANDARD BUCKET CAPACITY            |                             |   | .75 cubic yards         |        |
|                              | BUCKET BREAKOUT FORCE               |                             |   | 7,425 lbs.              |        |
|                              | LOADER RAISE TIME                   |                             |   | 4.5 seconds             |        |
|                              | LOADER LOWER TIME                   |                             |   | 3.6 seconds             |        |
|                              | BUCKET DUMP TIME                    |                             |   | 1.6 seconds             |        |
|                              | DRAW BAR PULL                       |                             |   | 5,940 lbs.              |        |
|                              | LOADER CLEARANCE CIRCLE             | O                           |   | 26'2.0"                 |        |
|                              | OPERATING WEIGHT                    |                             |   | 8,980 lbs.              |        |
| STANDARD TIRES               |                                     |                             | 15.5/60-18 8-ply                            |                         |        |
| DRIVE TRAIN & HYDRAULIC PUMP | TRANSMISSION                        |                             | Load Sensing Transmission                   |                         |        |
|                              | NUMBER OF SPEEDS                    |                             | 1 Forward/ 1 Reverse                        |                         |        |
|                              | TRAVEL SPEED                        |                             | 0 to 12.5 mph                               |                         |        |
|                              |                                     | w / Travel Speed Limiter On | 0 to 3.1 mph                                |                         |        |
|                              | BRAKES                              | / Service                   | Enclosed, Self Adjusting Wet Disc           |                         |        |
|                              |                                     | / Parking                   | Spring Applied, Hydraulic Released Wet Disc |                         |        |
|                              | PUMP TYPE AND OUTPUT                | / LST                       |   | 17.8 gpm @ 5,800 psi    |        |
|                              |                                     | / MAIN                      |   | 14.2 gpm @ 2,990 psi    |        |
|                              |                                     | / CHARGE                    |   | 4.1 gpm @ 495 psi       |        |
|                              |                                     | AUXILIARY HYDRAULIC FLOW    |   | 15.4 gpm front and rear |        |
| FLUID REFILL                 | FUEL TANK                           |                             | 14.3 gal.                                   |                         |        |
|                              | HYDRAULIC SYSTEM                    |                             | 16.4 gal.                                   |                         |        |
|                              | HYDRAULIC RESERVOIR                 |                             | 11.1 gal.                                   |                         |        |

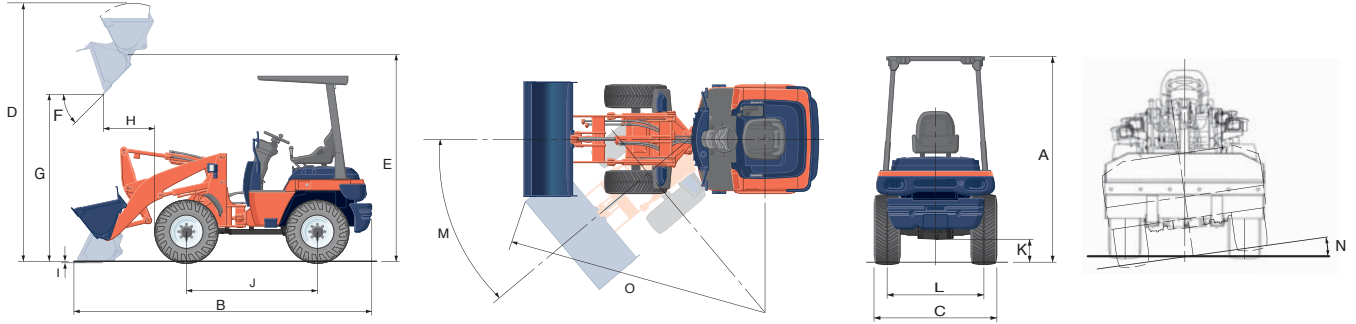
Specifications subject to change without notice. For your safety, ROPS with a seatbelt is strongly recommended by Kubota in almost all applications.

# R

# R520S

# SPECIFICATIONS

## DIMENSIONS



## BACKHOE SPECIFICATIONS

| MODEL                                |   | R520S/RBK5009S |
|--------------------------------------|---|----------------|
| Reach from centerline of swing pivot | A | 145.7"         |
| Overall operating height             | B | 126.8"         |
| Loading height                       | C | 80.3"          |
| Digging depth (2' flat bottom)       | D | 107.3"         |
| Digging depth (Maximum)              | E | 108.3"         |
| Side shift (Each way)                | - | 19.5"          |
| Digging force bucket                 | - | 4,100 lbs.     |
| Digging force dipperstick cylinder   | - | 2,755 lbs.     |

